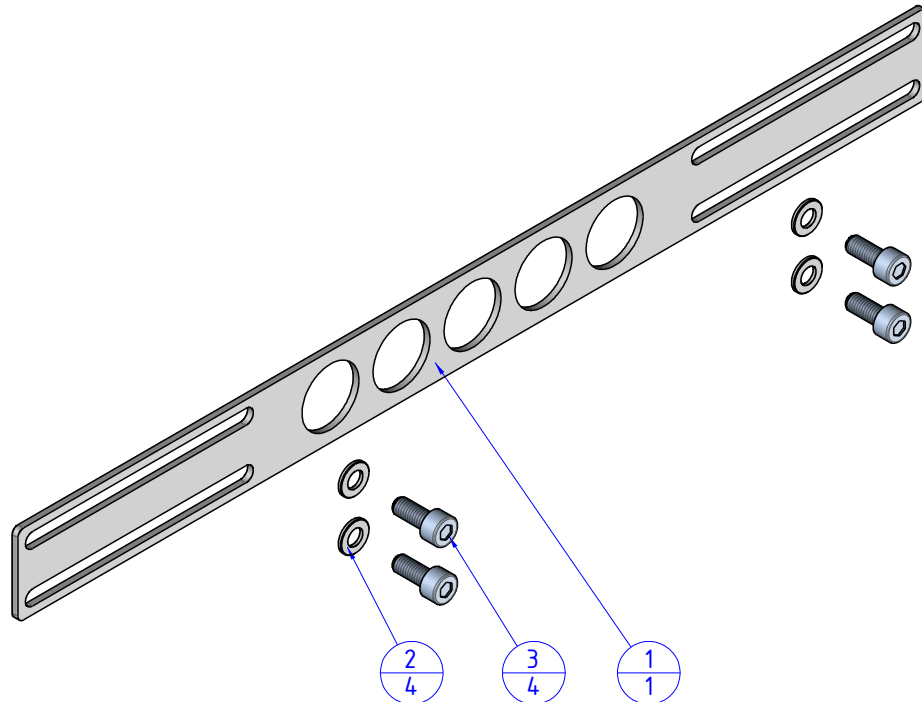
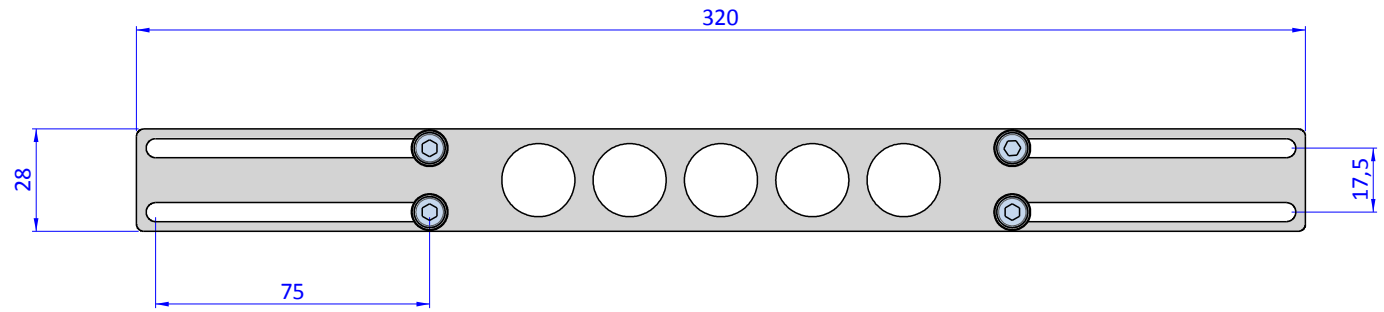


THE PROPERTY OF THE DRAWING IS ESTABLISHED BY LAW. IT IS FORBIDDEN TO PRODUCE OR SHOW IT TO THIRD PARTY, WITHOUT A WRITTEN AGREEMENT.

Item	Name	Q. ty
1	EPL.25.320	1
2	R.5	4
3	V.TCE5x12	4



Format A3

UNI 936-76

FP SERVICES AUTOMATION		DESIGNED FROM FPSERVICES	REVIEW A / 10
GENERAL TOLERANCE UNI - ISO 2768 CLASSE f	DESCRIPTION CA.EPL.25.320	DATE 19/09/2018	WEIGHT 0,108kg
		CODE CA.EPL.25.320	